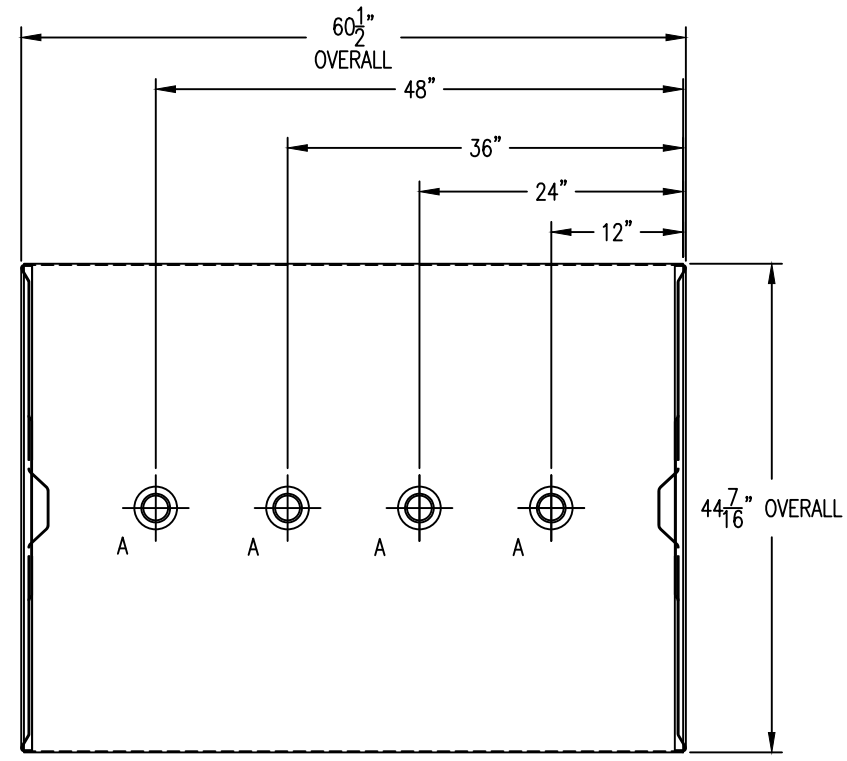


DRAWING REVISIONS			
REV.	DESCRIPTION	DATE	APRVL



TOP VIEW

DRAWING APPROVAL:  
SIGN: \_\_\_\_\_  
DATE: \_\_\_\_\_

FLANGE OPENING LEGEND	
A	2" NPT FLANGE
B	1/2" NPT FLANGE
C	-
D	-
E	-
F	-



ALL RIGHTS RESERVED, THIS DRAWING OR ANY PART THEREOF MUST NOT BE REPRODUCED IN ANY FORM UNLESS GIVEN PERMISSION BY A REPRESENTATIVE OF THIS COMPANY

806 Island Ford Road  
McGaheysville, VA 22840  
Phone 800-522-4980  
540-289-5051  
FAX 540-289-7592



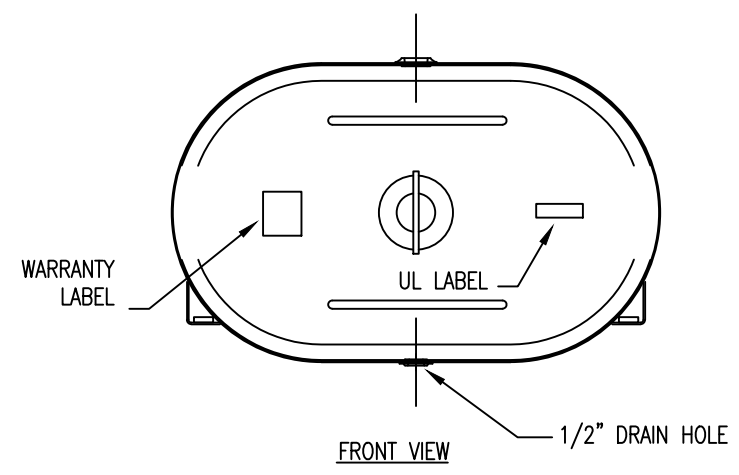
**ATLANTIC**  
**CONTAINMENT**



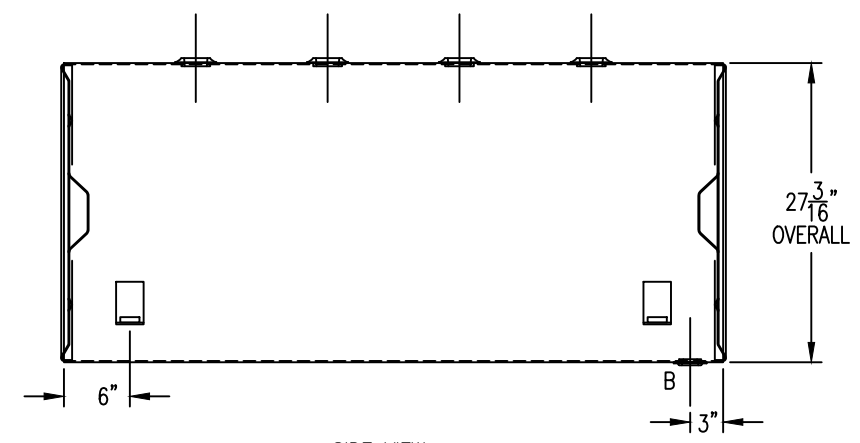
DESCRIPTION: 275 Oblound Horiz. Lug Style UL80

CUST:	ATLANTIC CONTAINMENT
MATL:	CARBON STEEL, 12 GA
WELD:	MIG (EXTERNAL ONLY)
TYPE:	UL80 LISTED
CAPACITY:	275 GALLONS
WEIGHT:	255 LBS
EXT. FINISH:	BLACK GLOSS

DATE:	DWG BY:
03/14/17	NM
DWG NO.	REV. NO.
<b>AC275HHO</b>	-



FRONT VIEW



SIDE VIEW

PRELIMINARY DRAWING ONLY